

# Drill Pipe Power Tong **HAWKJAW**



**HAWK**  
INDUSTRIES, INC.

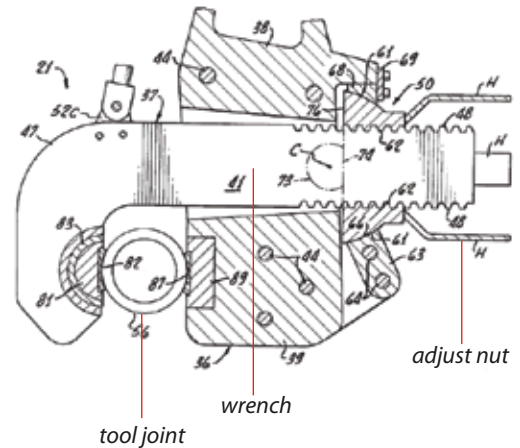


# HAWKJAW

## THE ORIGINAL – IMPROVED!

The HAWKJAW Power Tong was the industry's first fully integrated Drill Pipe Make/Break Machine. With its proven spinning wrench and patented torque wrench, it remains a favorite of drillers and floor hands alike due to its speed, ease of operation, and inherent safety. Its modular construction provides for easy maintenance and servicing, while the compact design allows it to fit on virtually any rig floor. With a single support cable and a back-up line, the unit is quick to rig up and operate.

- Faster and safer than using manual rig tongs
- Powered height adjustment
- Precise make-up torque is set with the built-in Torque Regulator
- Includes a low torque Warning System to prevent under-torqued connections
- Intuitive, push-button controls for ease of operation
- Available with Long Hanger (Jr. model only) for Kelly drilling applications
- Self-energizing torque wrench always grips with a force "proportional" to the torque



## SELF-ENERGIZING WRENCH GRIP

Hawk Torque Wrenches utilize our Patented Self-Energizing Technology. This design ensures a better grip using less force. One pipe wrench is used for the break-out function and another is used for the make-up function. This method avoids ovaling the pin-box or pipe-joint connection during make-up and break-out of the drillpipe.

- No ovaling of pipe
- Takes only 1.5 bites during make-up
- Fast make-up in only 12 seconds
- Adjusts force proportionately to various pipe sizes

## SPECIAL ORDER OPTIONS

No Spinner Hawkjaw

Long Hanger for Kelley Bushing  
Operation: 140.6" Junior model only

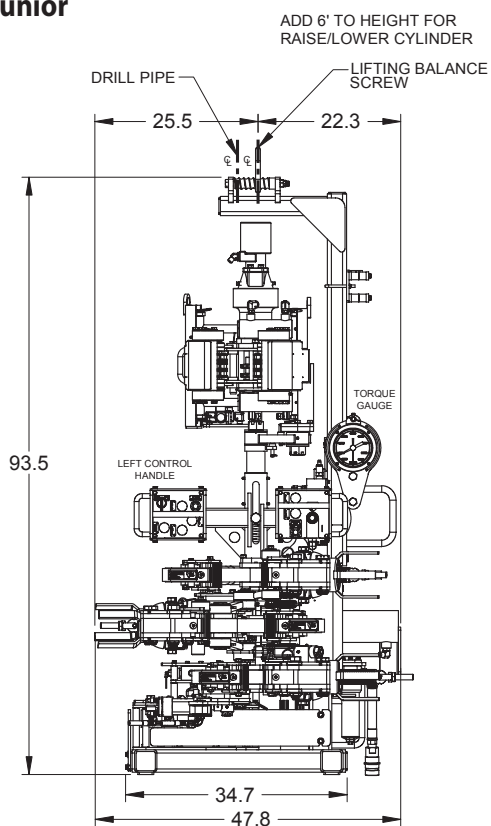
Extreme Cold Weather Package

# Drill Pipe Power Tong

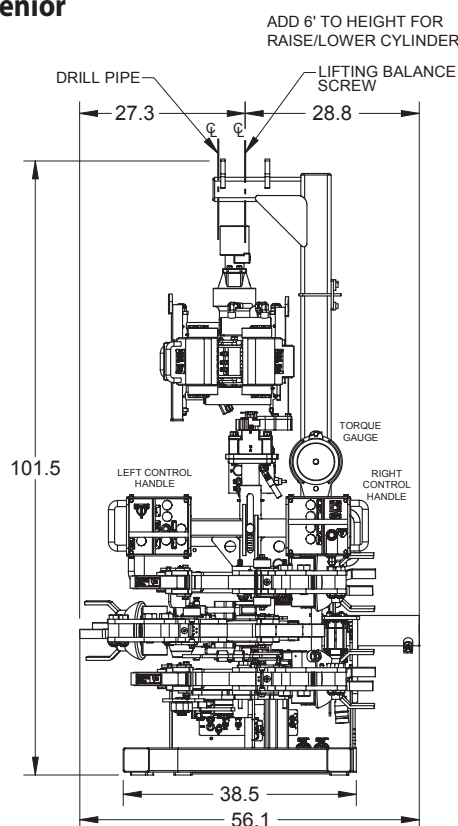
## HAWKJAW STANDARD SPECIFICATIONS (Special order options on opposite page)

	JUNIOR	SENIOR
<b>Torque</b>	Make-Up 65,000 ft. lbs. Break-Out 80,000 ft. lbs.	Make-Up 100,000 ft. lbs. Break-Out 100,000 ft. lbs.
<b>Tool Joints Size Range</b>	3.5" O.D. through 8.0" O.D.	4.0" O.D. through 9.5" O.D.
<b>Spinner Size Range</b>	2.875" O.D. through 8.0" O.D.	2.875" O.D. through 9.5" O.D.
<b>Pipe Spinner Torque</b>	3000 ft. lbs. on 5" pipe	3000 ft. lbs. on 5" pipe
<b>Hydraulics</b>	3000 PSI @ 20-35 gpm	3000 PSI @ 20-35 gpm
<b>Air</b>	100 PSI @ 2-10 cfm	100 PSI @ 2-10 cfm
<b>Dimensions</b>		
Width	47.8"	56.1"
Depth	43"	60"
Height	93.5" <small>optional 140.6" long hanger</small>	101.5"
<b>Weight</b>	2600 lbs.	4700 lbs.

### Junior



### Senior



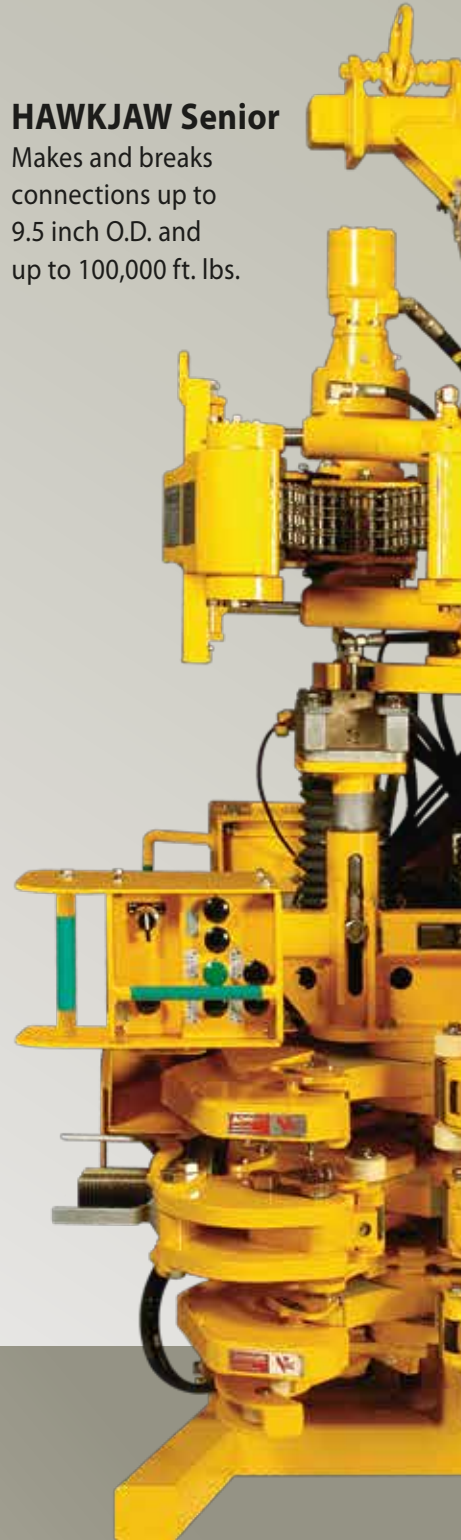
### **HAWKJAW Junior**

Available with Long Hanger  
for kelly drilling



### **HAWKJAW Senior**

Makes and breaks  
connections up to  
9.5 inch O.D. and  
up to 100,000 ft. lbs.



# Drill Pipe Power Tong

*Our patented self-energized torque wrench design applies only necessary force on the box to back-up during spinning operation*

## **HAWKJAW Torque Wrench**

As a standalone torque wrench without pipe spinner



## ***No Compromises***

Quality or economy? Innovation or reliability? Customer service or global reach?  
These are the tradeoffs most manufacturers ask you to make. Not Hawk Industries.

We believe you deserve to have it all, and we deliver it.

We manufacture drilling tools for the oil and gas industry. Period. For 50 years now.

We focus on a select group of customers, each a significant portion of our business.

So when we say your total satisfaction with our product, our service and our responsiveness is important to us, you know it's true. Hawk designs, manufactures and services 100% of the equipment we sell. From our agents, distributors, and from our original location in California, we stock parts for every model we've ever sold, ready for immediate shipment anywhere in the world.

Of course you can count on our equipment to perform, with the confidence that our engineering remains at the forefront of innovation. We hold numerous international patents for product innovations, like our self-energizing wrench technology.

Practicality. Dependability. Cost-effective pricing. Lifetime support. Hawk Industries.

The obvious choice.



1245 East 23rd Street, Signal Hill, CA 90755 USA

[www.hawkindustries.com](http://www.hawkindustries.com)

(562) 424-0709