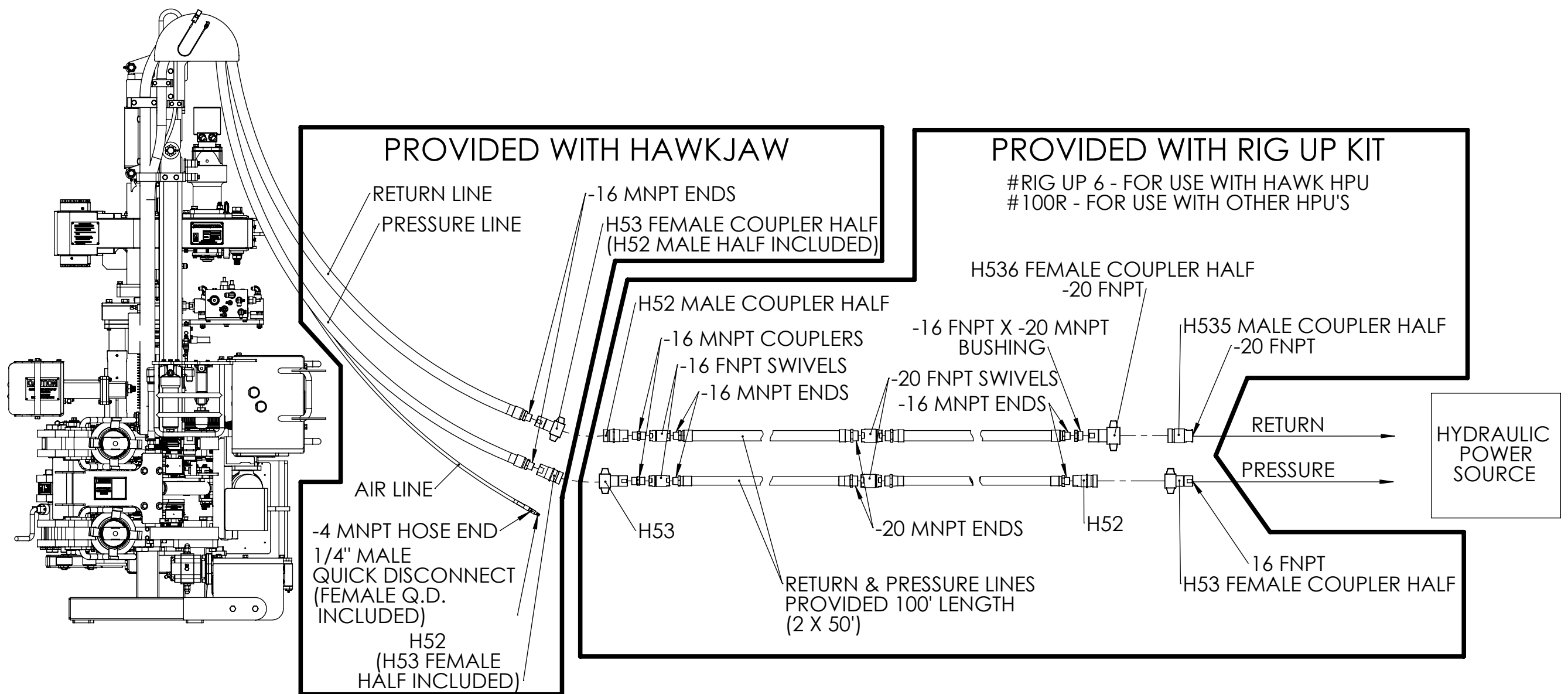
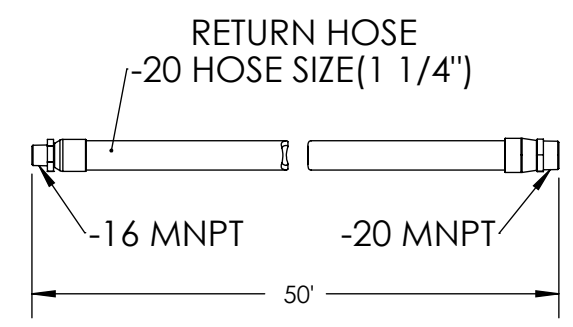
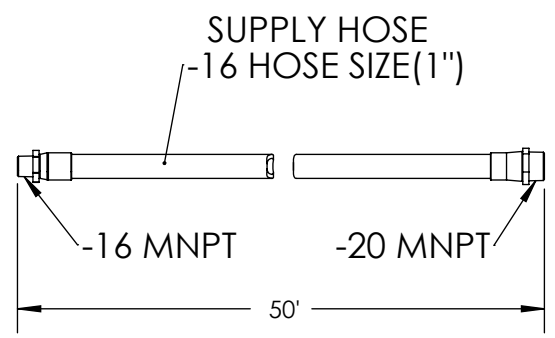


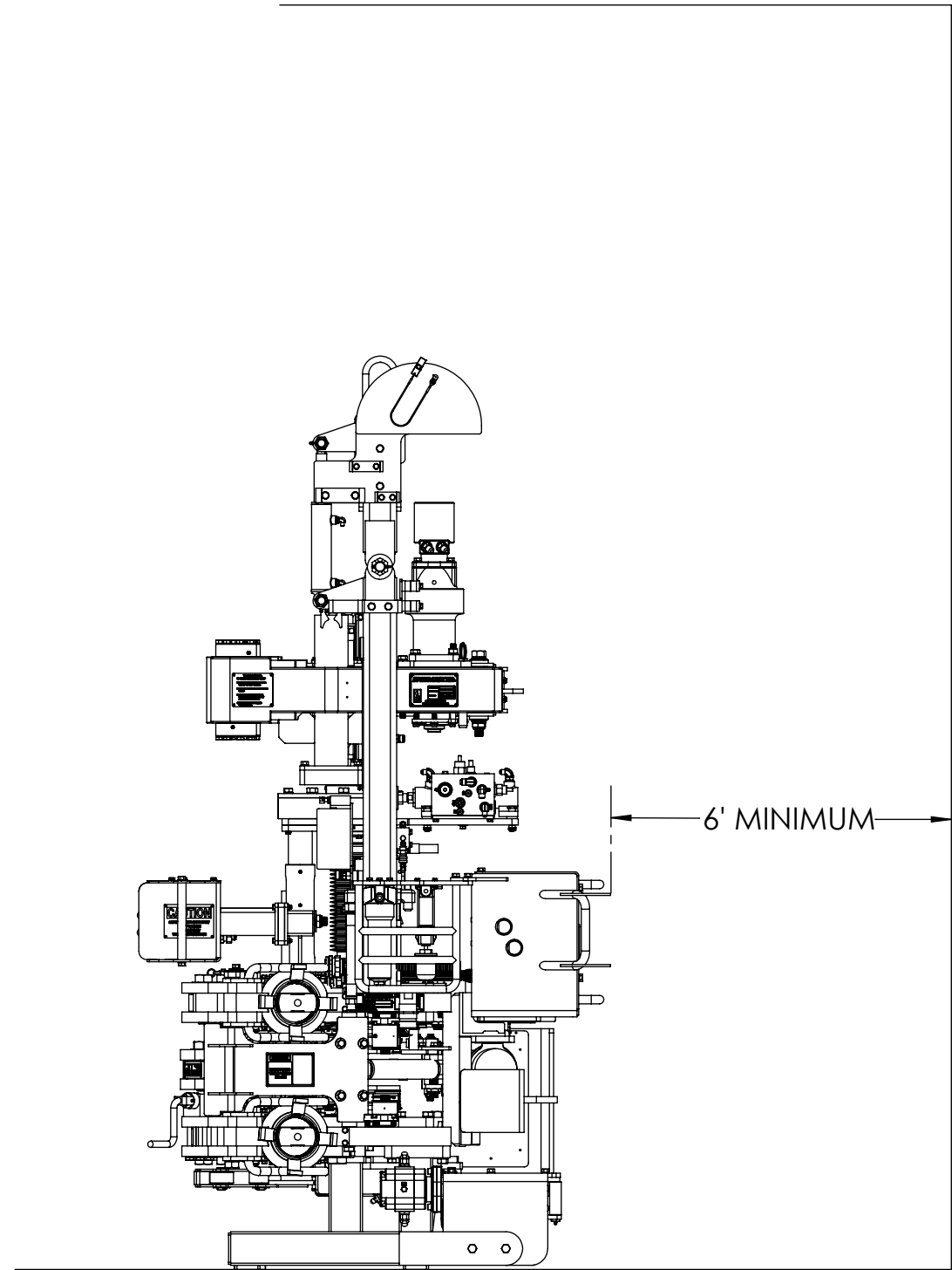
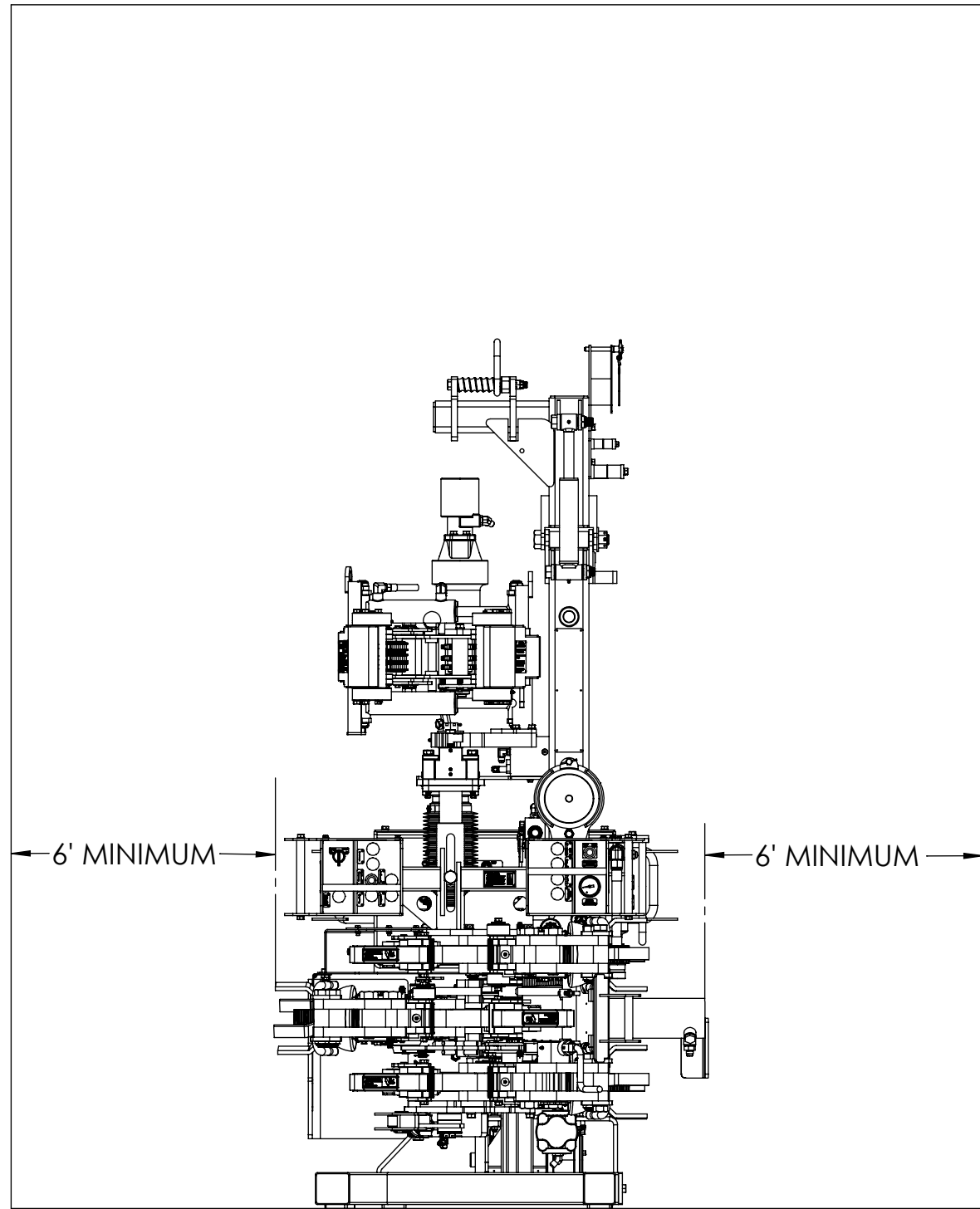
REVISIONS				
REV	DESCRIPTION	DATE	DRAWN	APPRVD
-	INITIAL RELEASE			



- NOTES:
- HYDRAULIC REQUIREMENTS:
 - CLOSED CENTER PRESSURE COMPENSATED HYDRAULIC POWER SOURCE
 - PRESSURE: MIN. 2500 PSI MAX. 3000 PSI
 - FLOW: 20-35 GPM
 - AIR REQUIREMENTS:
 - 100PSI@2-10 CFM

				UNLESS OTHERWISE SPECIFIED: DIMENSIONS ARE IN INCHES TOLERANCES		APPROVALS		DATE	
				DECIMALS ANGULAR		DRAWN		8/2/2010	
				.XX ± .03 ± .5°		CHECKED		8/2/2010	
				.XXX ± .010		ENG APPR.		8/2/2010	
				.XXXX ± .0010					
				DO NOT SCALE DRAWING					
				MATERIAL		THIS DRAWING AND THE INFORMATION SET FORTH HEREIN ARE THE SOLE PROPERTY OF HAWK INDUSTRIES, INC. INTERPRETATION, PUBLICATION OR USE, NOT EXPRESSLY AUTHORIZED IN WRITING BY HAWK INDUSTRIES, INC. IS PROHIBITED.			
				HEAT TREAT					
				FINISH					
NEXT ASSY	QTY PER SUB-ASSY	QTY PER UNIT	FINAL ASSY			TITLE		HAWK INDUSTRIES INC 1245 EAST 23rd STREET □ SIGNAL HILL, CA □ 90755 USA www.hawkindustries.com	
APPLICATION						SIZE		DWG. NO.	
						B			
						SCALE: 1:20		WEIGHT: LBS	
								SHEET 1 OF 2	

SERVICE SPACE REQUIREMENTS



				UNLESS OTHERWISE SPECIFIED: DIMENSIONS ARE IN INCHES TOLERANCES		APPROVALS		DATE			
				DECIMALS ANGULAR		DRAWN					
				.XX ± .03 ± .5°		CHECKED					
				.XXX ± .010		ENG APPR.					
				.XXXX ± .0010							
				DO NOT SCALE DRAWING							
				MATERIAL		THIS DRAWING AND THE INFORMATION SET FORTH HEREIN ARE THE SOLE PROPERTY OF HAWK INDUSTRIES, INC. INTERPRETATION, PUBLICATION OR USE, NOT EXPRESSLY AUTHORIZED IN WRITING BY HAWK INDUSTRIES, INC. IS PROHIBITED.		TITLE			
				HEAT TREAT				HAWK INDUSTRIES INC 1245 EAST 23rd STREET □ SIGNAL HILL, CA □ 90755 USA www.hawkindustries.com		M100K GENERAL ARRANGEMENT	
				FINISH				SIZE B DWG. NO.		REV -	
NEXT ASSY	QTY PER SUB-ASSY	QTY PER UNIT	FINAL ASSY	APPLICATION				SCALE: 1:20 WEIGHT: LBS SHEET 2 OF 2			