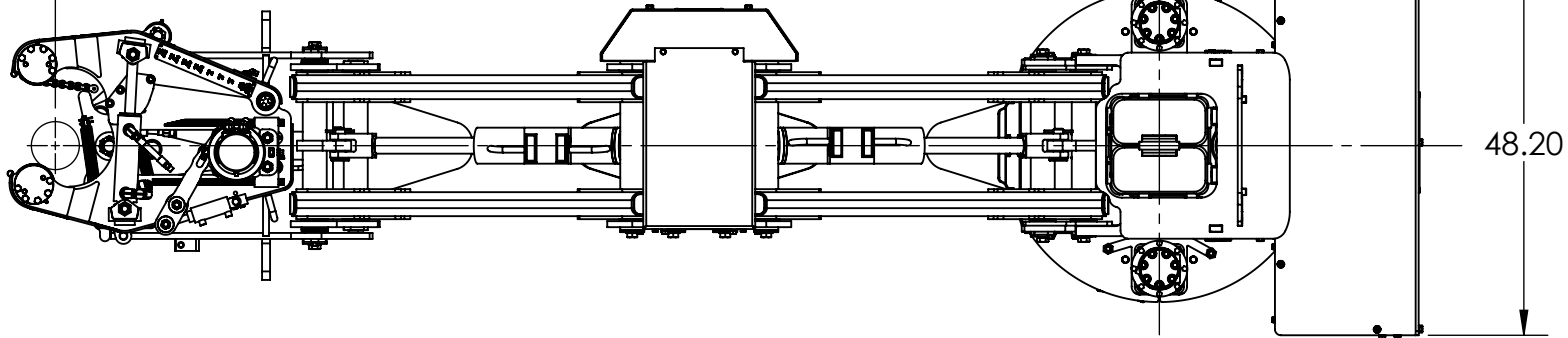


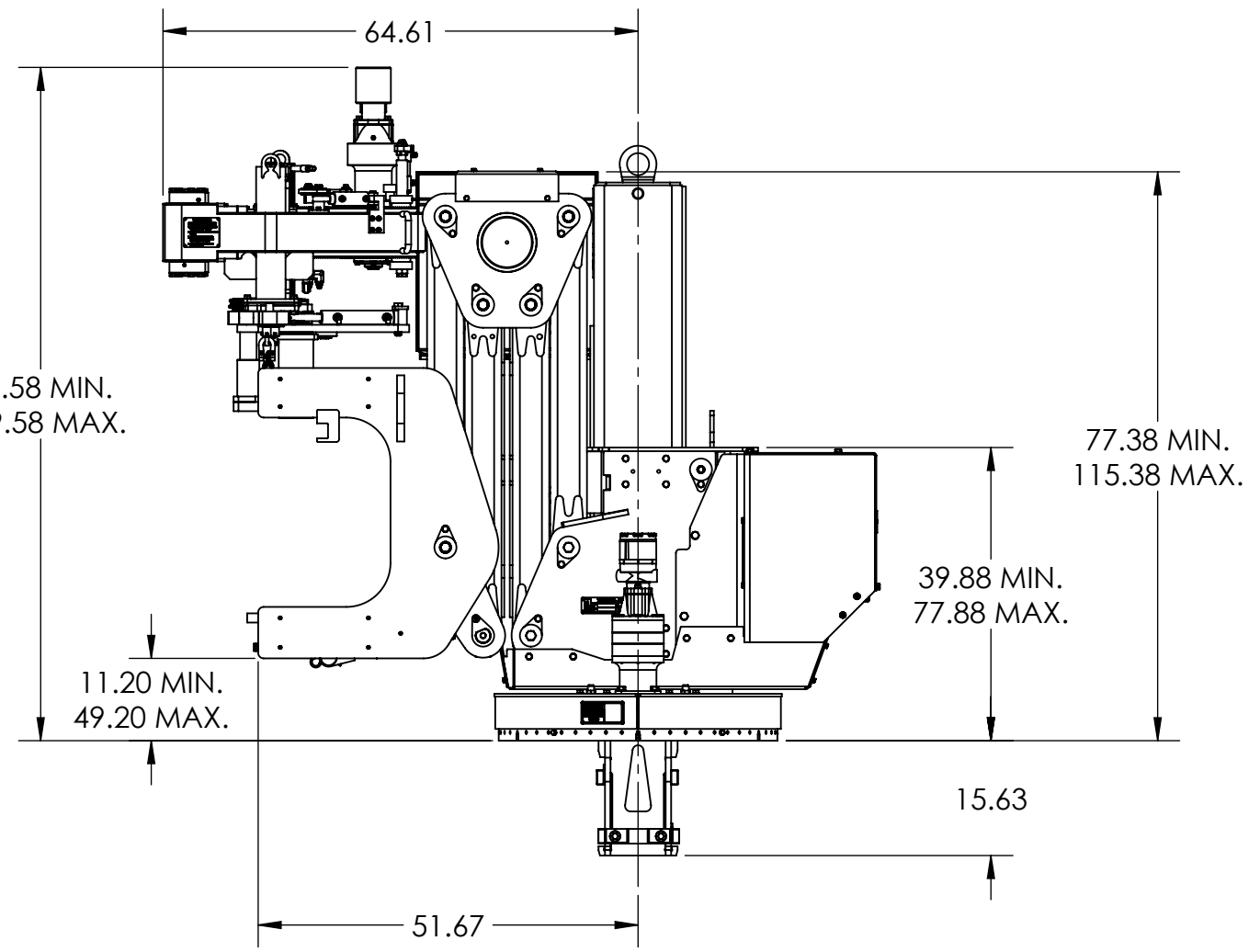
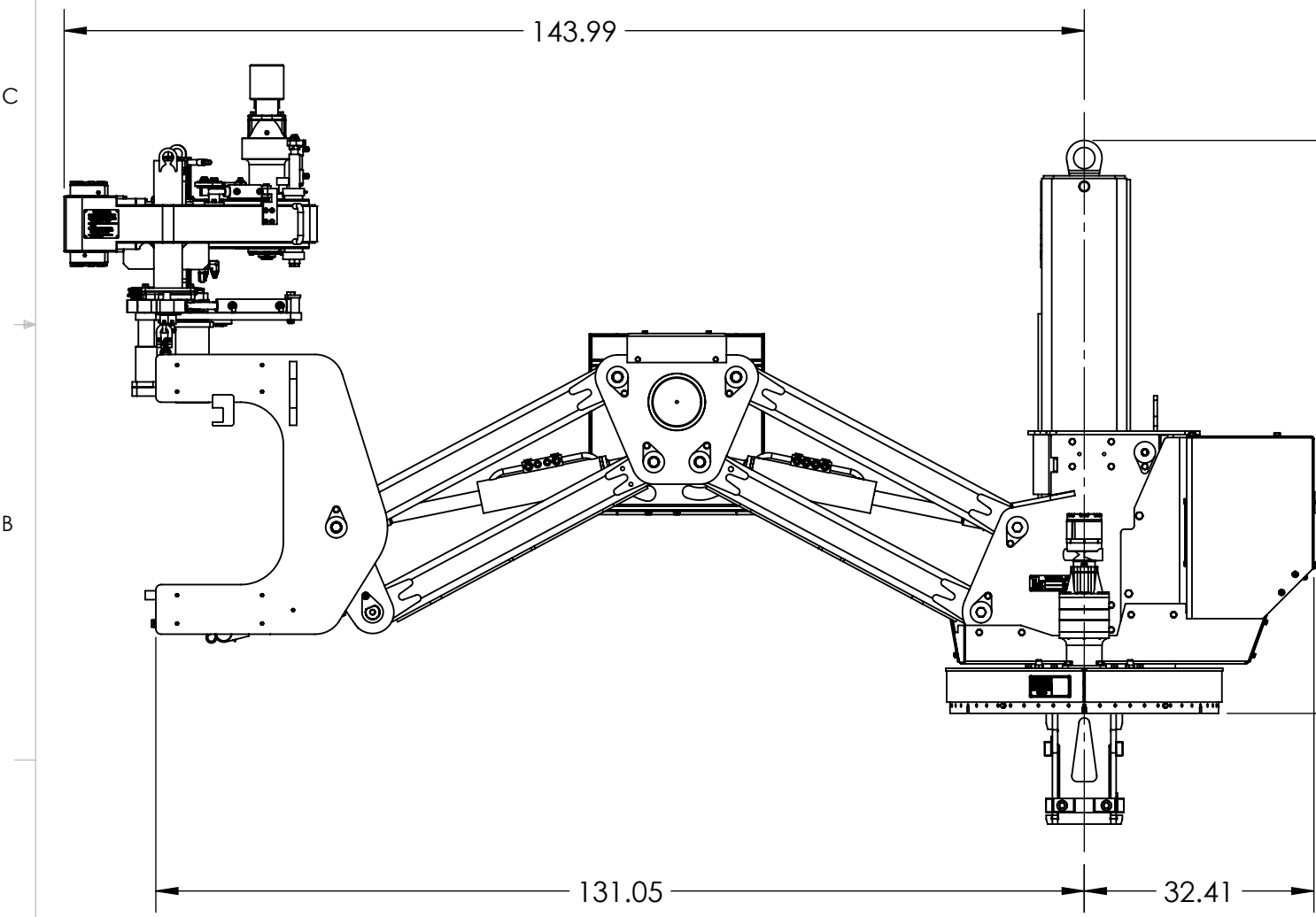
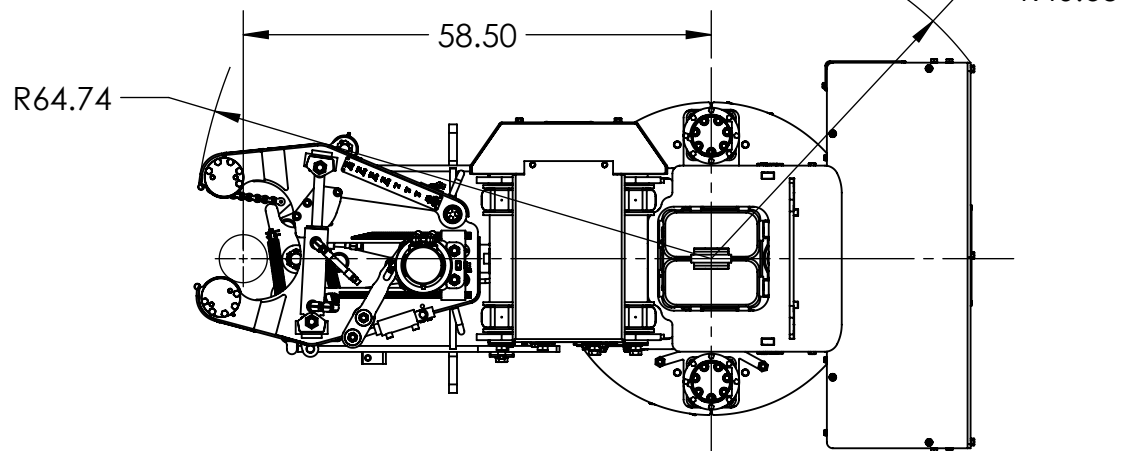
8 7 6 5 4 3 2 1

EXTENDED

138.00
MAX. REACH



RETRACTED



A

A

UNLESS OTHERWISE SPECIFIED: DIMENSIONS ARE IN INCHES TOLERANCES				APPROVALS		DATE
DECIMALS ANGULAR				DRAWN		
.XX ± .03 ± .5°				CHECKED		
.XXX ± .010				ENG APPR.		
.XXXX ± .0010						
DO NOT SCALE DRAWING				TITLE		
MATERIAL				THIS DRAWING AND THE INFORMATION SET FORTH HEREIN ARE THE SOLE PROPERTY OF HAWK INDUSTRIES, INC. INTERPRETATION, PUBLICATION OR USE, NOT EXPRESSLY AUTHORIZED IN WRITING BY HAWK INDUSTRIES, INC. IS PROHIBITED.		
HEAT TREAT				SIZE B DWG. NO. 70000-LAYOUT REV -		
NONE				SCALE: 1:24 WEIGHT: 7808.8 LBS SHEET 1 OF 1		
FINISH						
NONE						
NEXT ASSY	QTY PER SUB-ASSY	QTY PER UNIT	FINAL ASSY			
APPLICATION						

8 7 6 5 4 3 2 1