

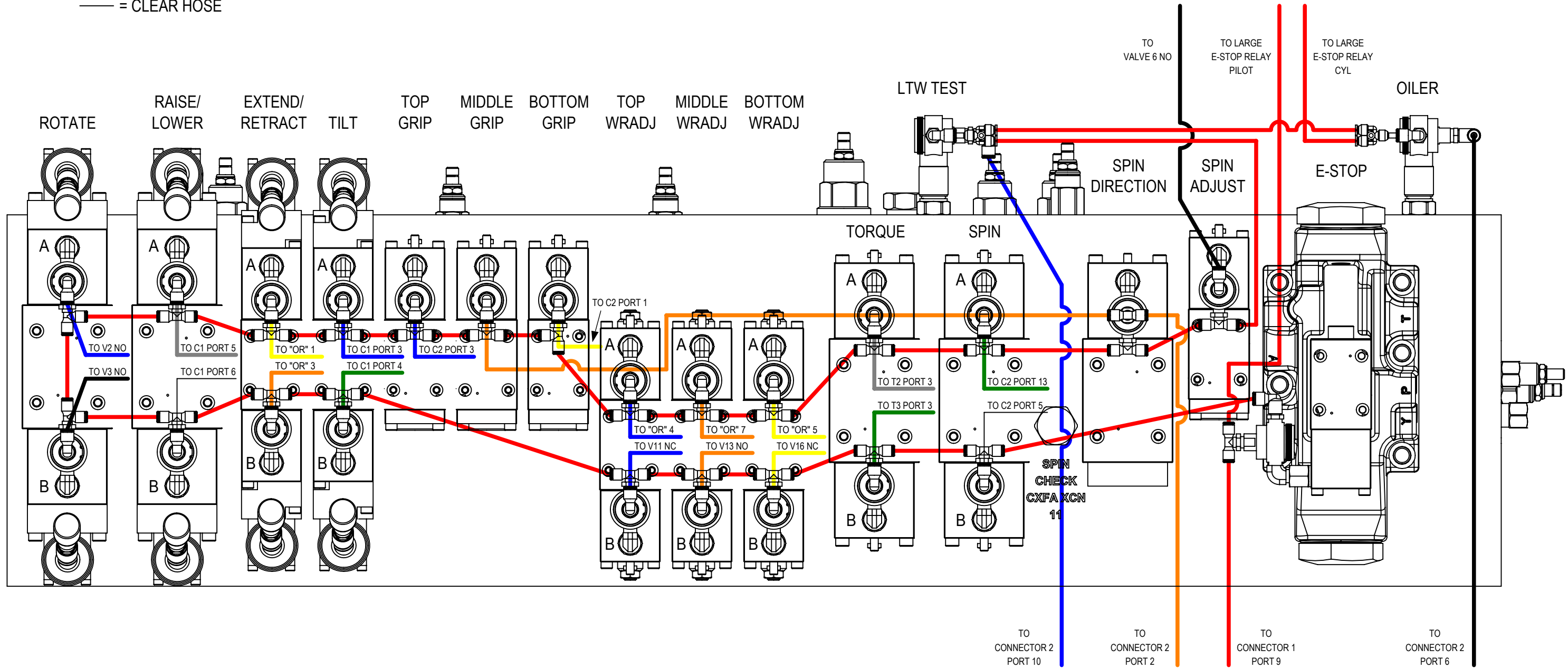


REVISIONS					
REV	DESCRIPTION	ECN#	DATE	DRAWN	APPRVD
-	INITIAL RELEASE	01104	8/17/2016	MDM	MDM

 = BLACK HOSE  
 = CLEAR HOSE



# T-WREX JR MANIFOLD PNEUMATIC PILOT CONNECTIONS

QTY PER SUB-ASSY	QTY PER UNIT	APPLICATION
1	1	70000
NEXT ASSY		FINAL ASSY

UNLESS OTHERWISE SPECIFIED:  
DIMENSIONS ARE IN INCHES  
TOLERANCES  
DECIMALS .XX ± .03  
.XXX ± .010  
.XXXX ± .0010  
ANGULAR ± .5°  
DO NOT SCALE DRAWING

MATERIAL  
HEAT TREAT NONE  
FINISH NONE

APPROVALS		DATE
DRAWN	MDM	8/17/2016
CHECKED		
ENG APPR.	MDM	8/17/2016

THIS DRAWING AND THE INFORMATION SET FORTH HEREIN ARE THE SOLE PROPERTY OF HAWK INDUSTRIES, INC. INTERPRETATION, PUBLICATION OR USE, NOT EXPRESSLY AUTHORIZED IN WRITING BY HAWK INDUSTRIES, INC. IS PROHIBITED.

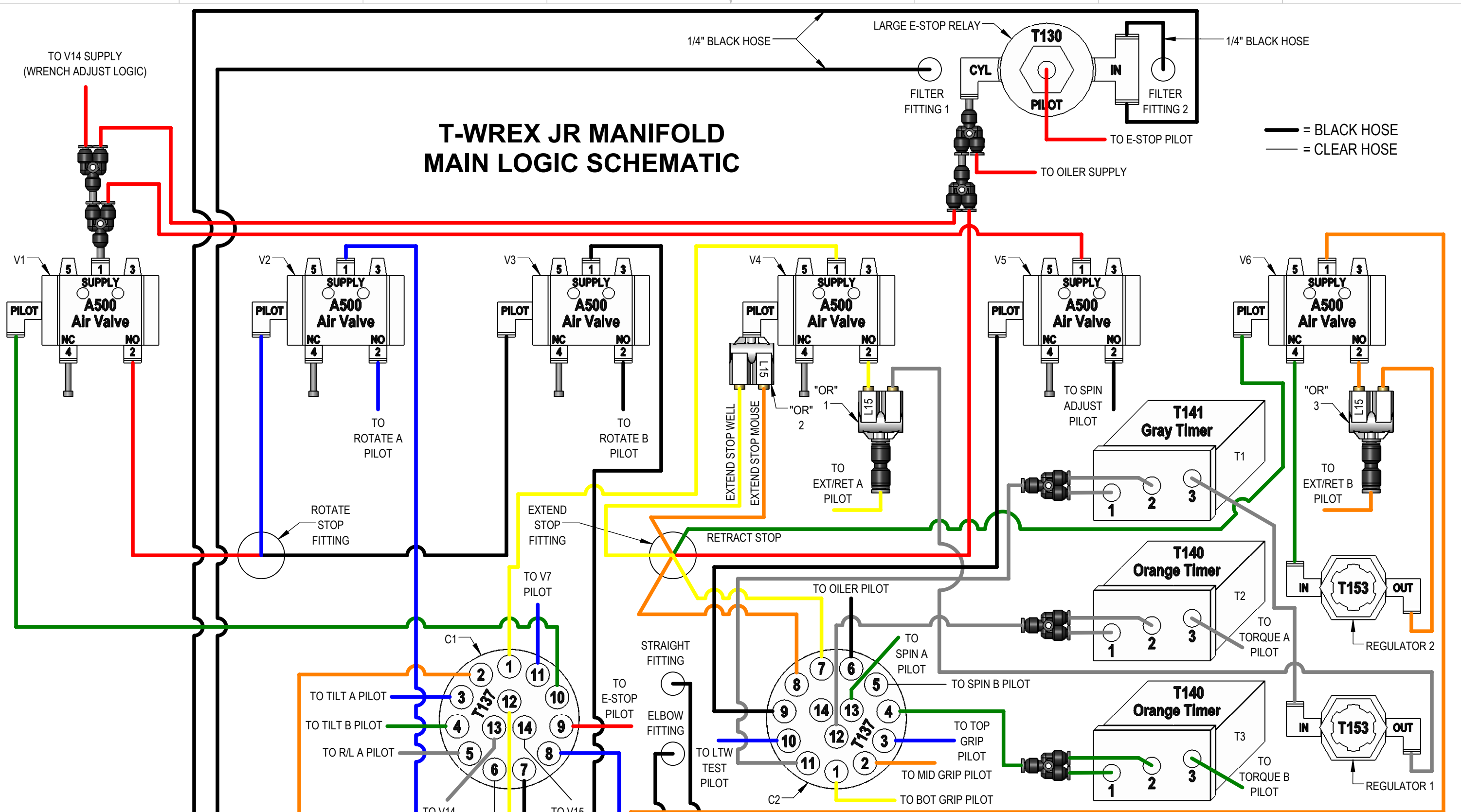
**HAWK INDUSTRIES INC**  
1245 EAST 23rd STREET □ SIGNAL HILL, CA □ 90755 USA  
www.hawkindustries.com

TITLE  
**MANIFOLD ASSEMBLY SCHEMATIC**

SIZE **B** DWG. NO. **70140-SCHEMATIC** REV -

SCALE: 1:3 WEIGHT: 459.3 LBS SHEET 1 OF 3

# T-WREX JR MANIFOLD MAIN LOGIC SCHEMATIC

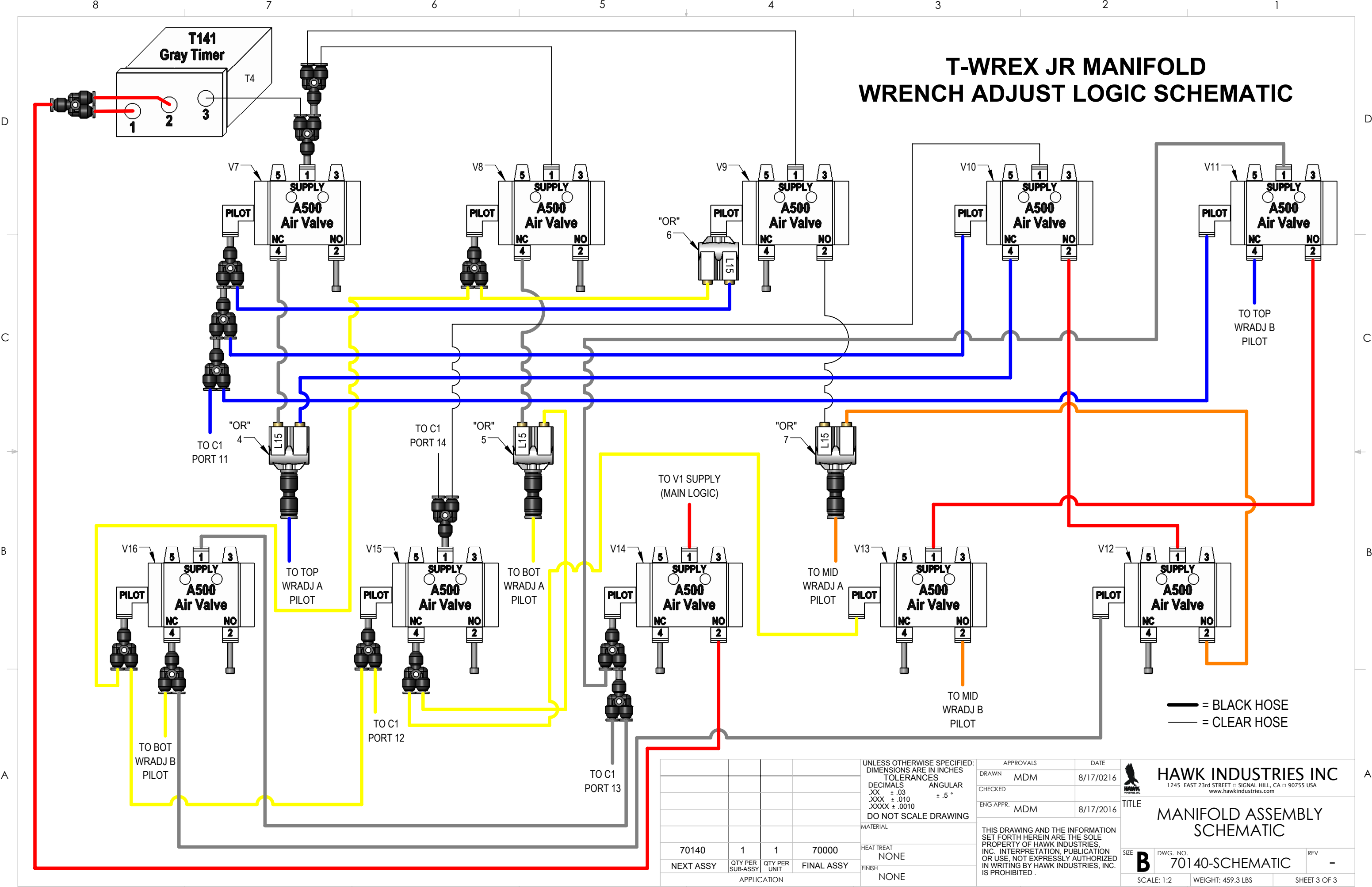


UNLESS OTHERWISE SPECIFIED: DIMENSIONS ARE IN INCHES TOLERANCES				APPROVALS		DATE
DECIMALS .XX ± .03		ANGULAR .XXX ± .010		DRAWN	MDM	8/17/2016
.XXXX ± .0010		± .5°		CHECKED		
DO NOT SCALE DRAWING				ENG APPR.	MDM	8/17/2016
MATERIAL				TITLE		
HEAT TREAT NONE				THIS DRAWING AND THE INFORMATION SET FORTH HEREIN ARE THE SOLE PROPERTY OF HAWK INDUSTRIES, INC. INTERPRETATION, PUBLICATION OR USE, NOT EXPRESSLY AUTHORIZED IN WRITING BY HAWK INDUSTRIES, INC. IS PROHIBITED.		
FINISH NONE				SIZE <b>B</b> DWG. NO. <b>70140-SCHEMATIC</b> REV -		
70140 1 1 70000				SCALE: 1:2 WEIGHT: 459.3 LBS SHEET 2 OF 3		
NEXT ASSY QTY PER SUB-ASSY QTY PER UNIT FINAL ASSY APPLICATION						

**HAWK INDUSTRIES INC**  
 1245 EAST 23rd STREET □ SIGNAL HILL, CA □ 90755 USA  
 www.hawkindustries.com

**MANIFOLD ASSEMBLY SCHEMATIC**

# T-WREX JR MANIFOLD WRENCH ADJUST LOGIC SCHEMATIC



70140	1	1	70000
NEXT ASSY	QTY PER SUB-ASSY	QTY PER UNIT	FINAL ASSY
APPLICATION			

UNLESS OTHERWISE SPECIFIED:  
DIMENSIONS ARE IN INCHES  
TOLERANCES  
DECIMALS .XX ± .03  
.XXX ± .010  
.XXXX ± .0010  
ANGULAR ± .5°  
DO NOT SCALE DRAWING

MATERIAL

HEAT TREAT NONE

FINISH NONE

APPROVALS		DATE
DRAWN	MDM	8/17/2016
CHECKED		
ENG APPR.	MDM	8/17/2016

**HAWK INDUSTRIES INC**  
1245 EAST 23rd STREET □ SIGNAL HILL, CA □ 90755 USA  
www.hawkindustries.com

TITLE  
**MANIFOLD ASSEMBLY SCHEMATIC**

SIZE **B** DWG. NO. **70140-SCHEMATIC** REV -

SCALE: 1:2 WEIGHT: 459.3 LBS SHEET 3 OF 3