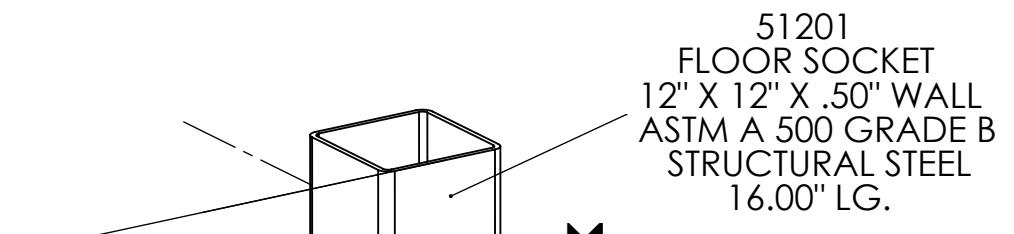
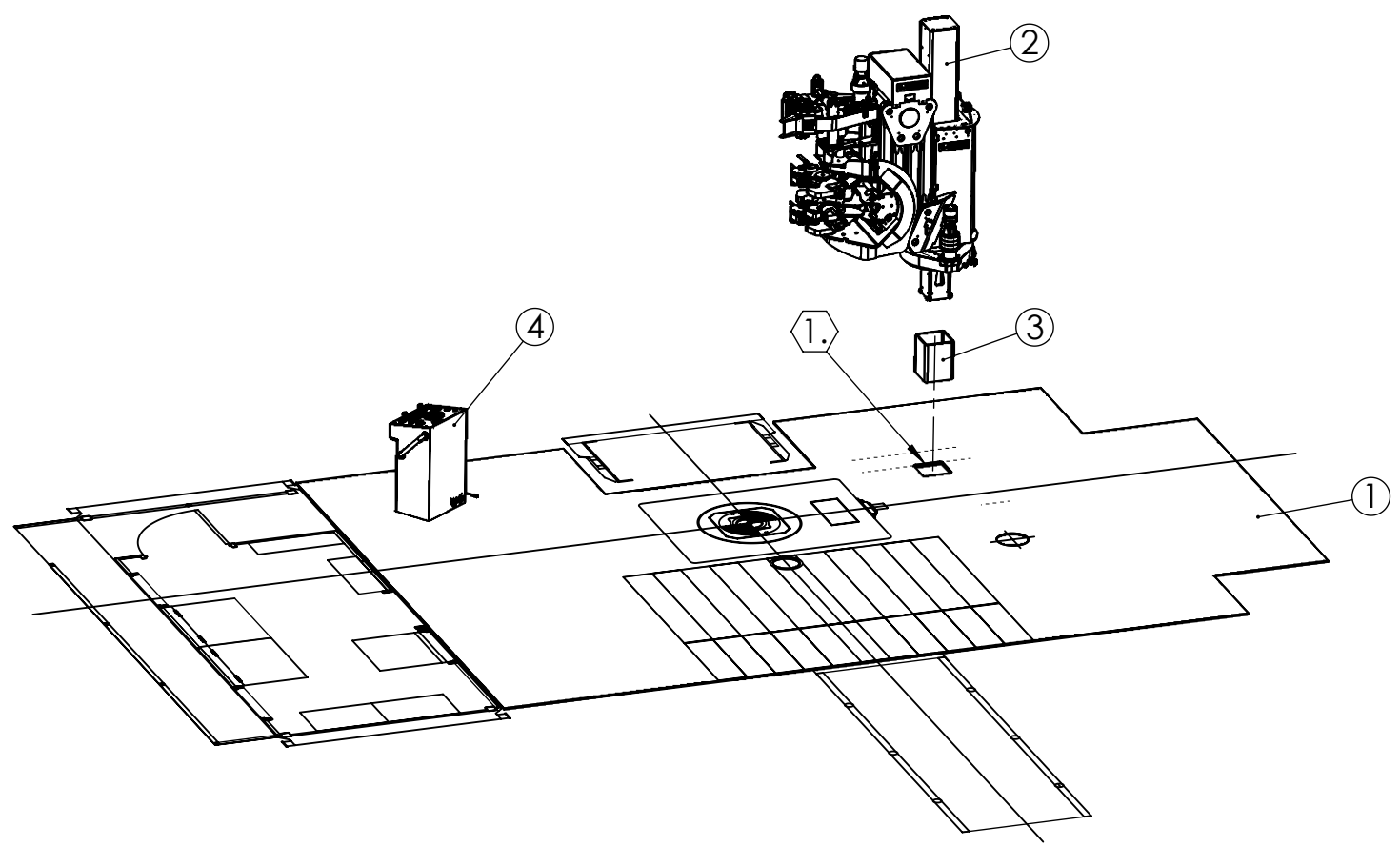


8 7 6 5 4 3 2 1

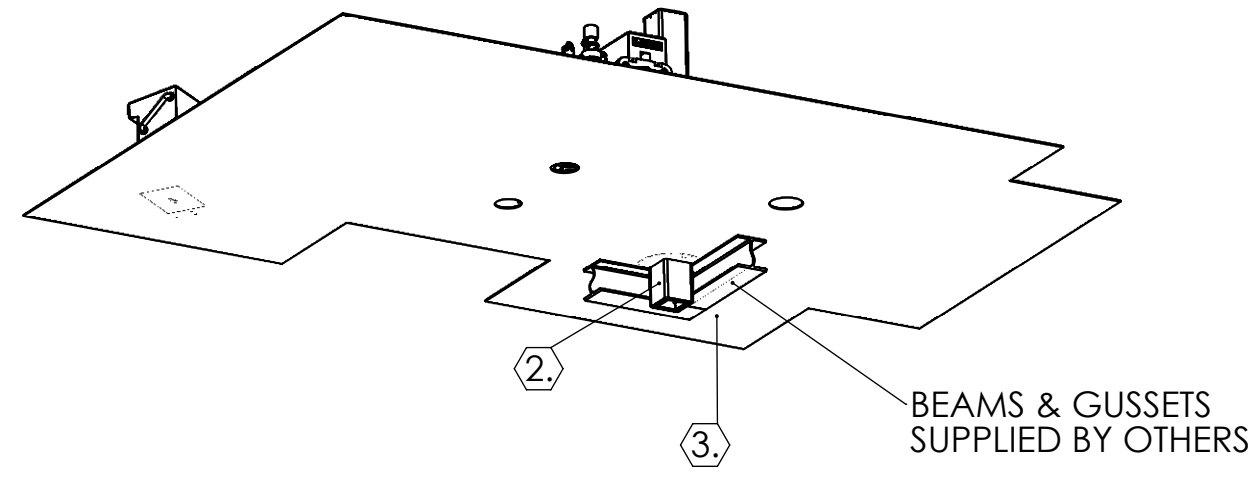
REVISIONS				
REV	DESCRIPTION	DATE	DRAWN	APPRVD
-	INITIAL RELEASE	5/25/07	AJ	



51201 FLOOR SOCKET
12" X 12" X .50" WALL
ASTM A 500 GRADE B
STRUCTURAL STEEL
16.00" LG.

M = MAX. MOMENT
WHEN T-WREX IN
FULLY EXTENDED
POSITION

MODEL	M
T-WREX JR.	494,599 IN./LBS.
T-WREX SR.	627,984 IN./LBS.



ITEM NO.	DESCRIPTION	QTY.
4 REF.	T-WREX CONTROL CONSOLE	1
3	51201 FLOOR SOCKET	1
2 REF.	T-WREX JR./ SR.	1
1 REF.	RIG FLOOR EXAMPLE	1

NOTES:

- ① 12 1/8" X 12 1/8" SQUARE CLEARANCE HOLE IN FLOOR PLATE IN PRE-DETERMINED POSITION.
- ② 51201 FLOOR SOCKET INSTALLED FLUSH WITH TOP OF FLOOR PLATE AND TWO ADJACENT SIDES PERPENDICULAR TO FLOOR.
- ③ DEPENDING ON LOCATION OF BEAMS UNDER FLOOR PLATE, FLOOR SOCKET SHALL BE ADEQUATELY BOXED IN USING SUITABLE BEAM MATERIAL OR GUSSETED AS REQUIRED.

UNLESS OTHERWISE SPECIFIED: DIMENSIONS ARE IN INCHES TOLERANCES				APPROVALS		DATE	
DECIMALS		ANGULAR		DRAWN	AJ	5/25/07	
.XX ± .03		± .5°		CHECKED			
.XXX ± .010				ENG APPR.			
.XXXX ± .0010				THIS DRAWING AND THE INFORMATION SET FORTH HEREIN ARE THE SOLE PROPERTY OF HAWK INDUSTRIES, INC. INTERPRETATION, PUBLICATION OR USE, NOT EXPRESSLY AUTHORIZED IN WRITING BY HAWK INDUSTRIES, INC. IS PROHIBITED.			
DO NOT SCALE DRAWING				HAWK INDUSTRIES INC 1245 EAST 23rd STREET □ SIGNAL HILL, CA □ 90755 USA www.hawkindustries.com			
MATERIAL				TITLE T-WREX JR./SR. TYPICAL INSTALLATION			
HEAT TREAT				SIZE B		DWG. NO.	
FINISH				SCALE: 1:72		WEIGHT: LBS	
NEXT ASSY	QTY PER SUB-ASSY	QTY PER UNIT	FINAL ASSY	SHEET 1 OF 1		REV -	
APPLICATION							

8 7 6 5 4 3 2 1