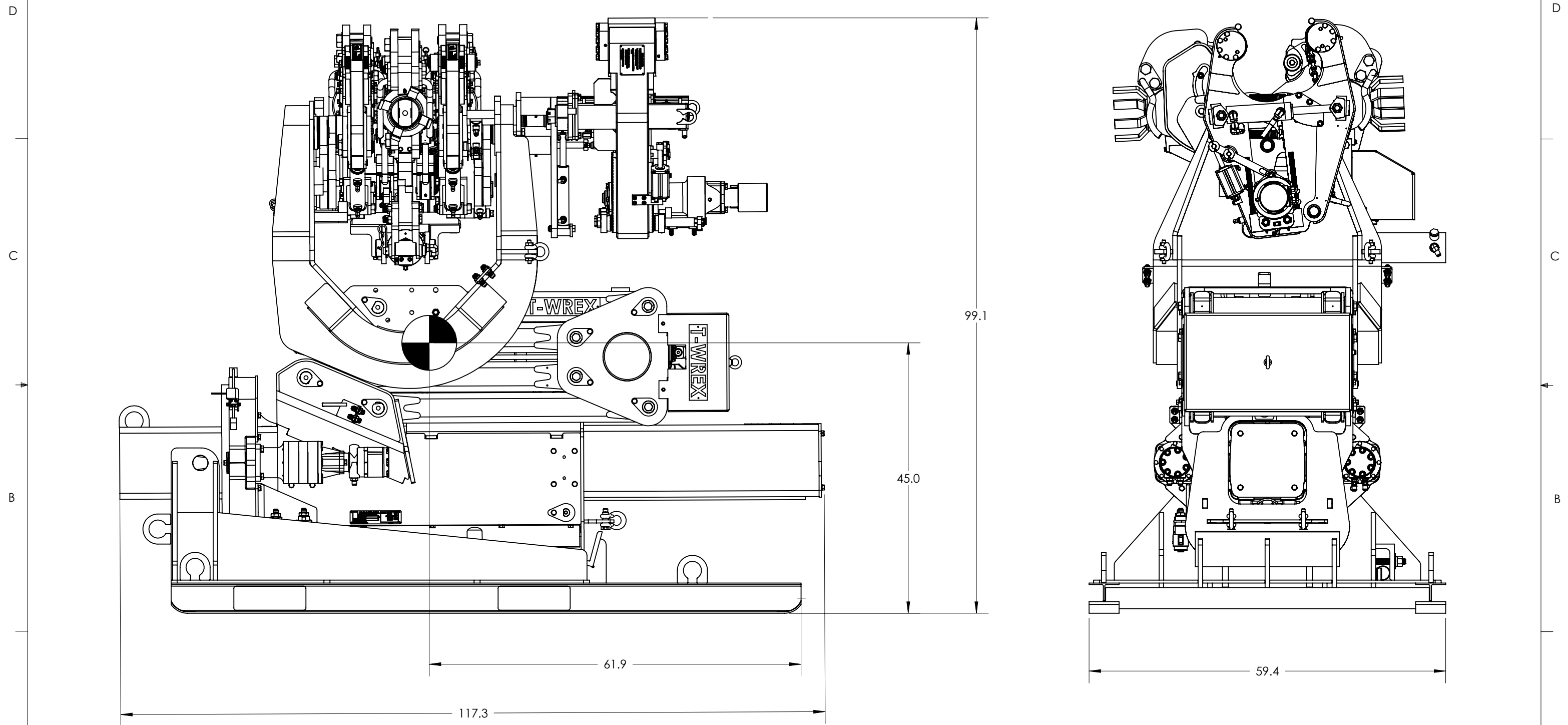


8 7 6 5 4 3 2 1

REVISIONS				
REV	DESCRIPTION	DATE	DRAWN	APPRVD
-	INITIAL RELEASE	3/13/2008	AJ	AJ



NOTES:
1. SHIPPING WEIGHT: 10,200 LBS.

				UNLESS OTHERWISE SPECIFIED: DIMENSIONS ARE IN INCHES TOLERANCES		APPROVALS		DATE	
				DECIMALS ANGULAR		DRAWN AJ		3/13/08	
				.XX ± .03 ± .5°		CHECKED MR		3/13/08	
				.XXX ± .010		ENG APPR: AJ		3/13/08	
				.XXXX ± .0010					
				DO NOT SCALE DRAWING					
				MATERIAL					
				HEAT TREAT					
				FINISH					
NEXT ASSY	QTY PER SUB-ASSY	QTY PER UNIT	FINAL ASSY	THIS DRAWING AND THE INFORMATION SET FORTH HEREIN ARE THE SOLE PROPERTY OF HAWK INDUSTRIES, INC. INTERPRETATION, PUBLICATION OR USE, NOT EXPRESSLY AUTHORIZED IN WRITING BY HAWK INDUSTRIES, INC. IS PROHIBITED.					
APPLICATION				TITLE		HAWK INDUSTRIES INC		1245 EAST 23rd STREET □ SIGNAL HILL, CA □ 90755 USA	
				T-WREX SR. SHIPPING ASSEMBLY		www.hawkindustries.com			
				SIZE B		DWG. NO.		REV -	
				SCALE: 1:16		WEIGHT: LBS		SHEET 1 OF 1	

8 7 6 5 4 3 2 1